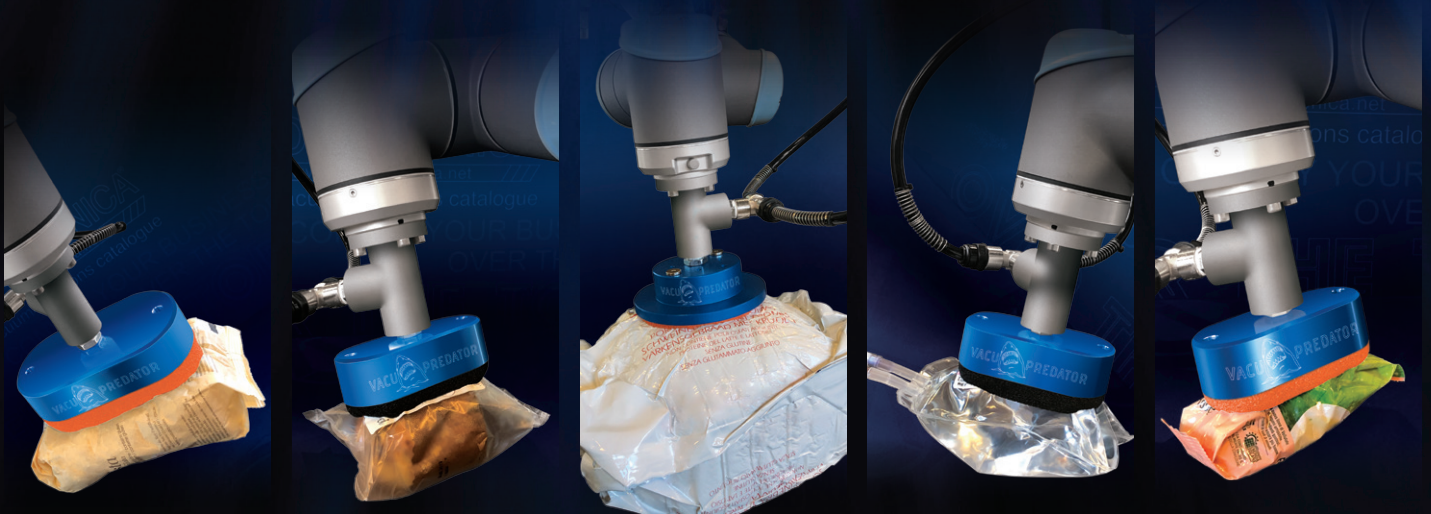




# VACU PREDATOR



...B I T E S   Y O U R   B A G S !



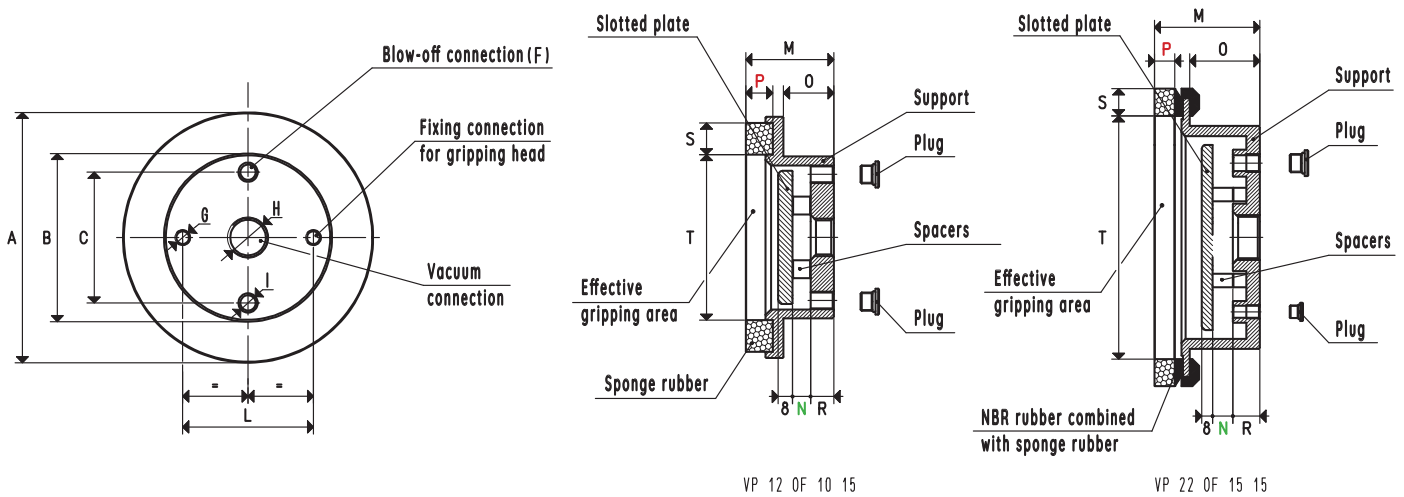
**VUOTOTECNICA®**

[www.vuototecnica.net](http://www.vuototecnica.net)

Your vacuum solutions catalogue

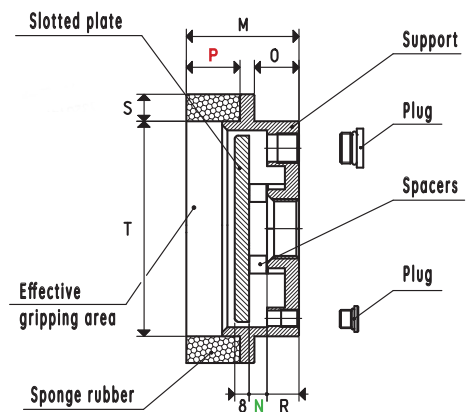
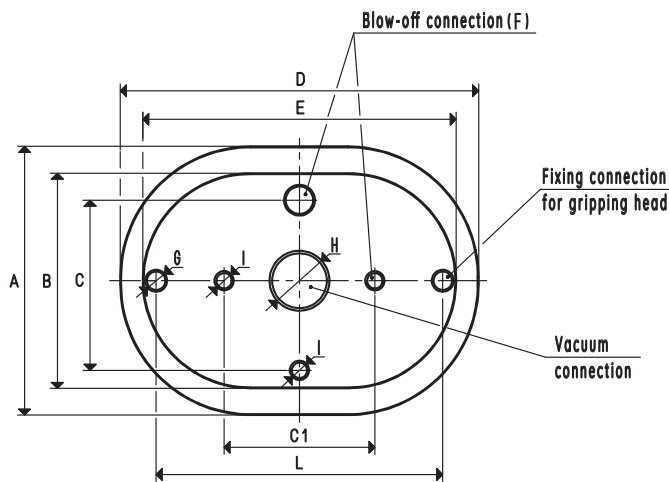
# VACUPREDATOR GRIPPING HEADS FOR PICK&PLACE OF PACKS, BAGS AND FLEXIBLE CONTAINERS

To allow the picking of flow packs, bags and flexible containers in paper or plastic, containing powders, granulates, loose products or liquids, these new gripping heads have been designed and manufactured, able of gripping all packages even with irregular conformation. Made of anodized aluminum, they are equipped with a slotted plate inside, to allow the flexible container to adapt perfectly to the suction cup and a special sponge rubber seal which, following the inevitable wrinkles that form on the flexible container during the setting phase, prevents perimeter vacuum losses. They are particularly recommended for gripping flow packs, flexible containers for infusions, bags for sweets or similar, bags of plastic granulates, concrete, sugar or flour, etc. Their lifting force was calculated considering a minimum vacuum level of -75 KPa, the total surface enclosed within the gasket and a safety coefficient 3.



## ROUND VACUPREDATOR GRIPPING HEADS

Item	Force Kg	A Ø	B Ø	C	F Ø	G Ø	H Ø	I Ø	L	M	N	O	P	R	S	T Ø	Weight Kg
VP 12 OF 10 15	17.5	134	89	70	G1/8"	M8	G1/2"	G1/8"	70	49	10	28	15	13	17.5	92	0.54
VP 22 OF 15 15	63.6	220	165	110	G1/4"	M12	G1"	G1/8"	120	78	15	52	15	20	20.0	180	1.55



### ELLIPTICAL VACUPREDATOR GRIPPING HEADS

Item	Force Kg	A	B	C	C1	D	E	F Ø	G Ø	H Ø	I Ø	L	M	N	O	P	R	S	T	Weight Kg
VP 06 12 OF 10 15	9.4	60	40	---	---	120	111	---	M8	G3/8"	---	100	49	10	29	15	14	10	40 x 100	0.36
VP 09 16 OF 10 30	17.9	90	60	---	80	160	145	G1/4"	M8	G1/2"	G1/8"	130	63	10	25	30	18	15	60 x 130	0.63
VP 09 21 OF 10 30	27.4	95	60	---	80	210	185	G1/4"	M12	G1/2"	G1/8"	160	63	10	25	30	18	15	65 x 180	0.80
VP 15 20 OF 10 30	43.8	150	120	95	---	200	175	G3/8"	M12	G1"	G1/8"	160	63	10	25	30	18	15	120 x 170	1.10
VP 20 30 OF 15 30	82.5	200	150	115	---	300	250	G3/8"	M12	G1"	G1/8"	200	78	15	40	30	20	25	150 x 250	2.24
VP 30 40 OF 15 30	174.4	300	250	160	---	400	350	G3/8"	M12	G2"	G1/8"	300	78	15	40	30	20	30	240 x 340	3.85

### EXAMPLE OF CONFIGURATION:



**Model:**  
Vacu Predator

- Size:**  
 06 12 ( 60 x 120 mm)  
 09 16 ( 90 x 160 mm)  
 09 21 ( 95 x 210 mm)  
 15 20 (150 x 200 mm)  
 20 30 (200 x 300 mm)  
 30 40 (300 x 400 mm)  
 12 (ø 134 mm)  
 22 (ø 220 mm)

**Sponge rubber height (P):**  
 for VP0612-VP0916-VP0921-VP12-VP22  
 15-20-25-30 mm

for VP1520-VP2030-VP3040  
 20-25-30-40 mm

**Spacers height (N):**  
 5 mm  
 10 mm  
 15 mm

**Sponge rubber compound:**  
 OF: ORANGE FOAM  
 SB: EXTRA SOFT  
 NF: NEOPRENE



**VUOTOTECNICA**  
www.vuototecnica.net  
Your vacuum solutions catalogue

VUOTOTECNICA S.r.l.  
Via Olgiate Molgora, 27  
23883 Beverate di Brivio (LC) - ITALY  
Tel. +39 039 53 20 561  
Fax +39 039 53 20 015